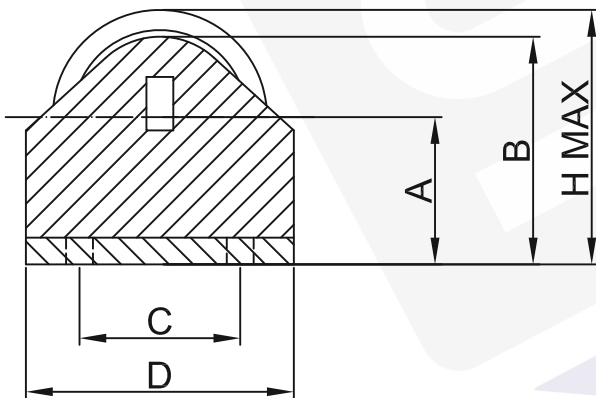




E=
F=
Ø=

Width=
Length=



A=
B=
C=
D=
H MAX=

